

DMS Wireless

2400-2483 MHz 120° X-POL

PA2400-2483-120-13X

Electrical Data

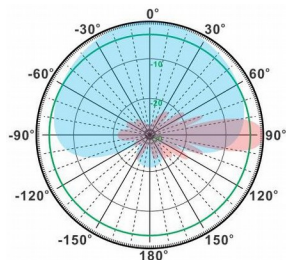
| | |
|----------------------------------|-----------------|
| Frequency: | 2400-2483 MHz |
| Gain: | 13 dBi |
| VSWR: | <1.5:1 |
| Polarization: | ±45° |
| Horizontal Beamwidth: | 120° |
| Vertical Beamwidth: | 18° |
| Electrical downtilt: | 0° |
| Sidelobe suppression : | >15dB |
| (First sidelobe above main beam) | |
| Front-to-back ratio : | >23dB |
| Isolation: | >30dB |
| Cross-polar ratio: | >15dB (±60°≥10) |
| Intermodulation IM3: | >-150dBc |
| (2×43dBm carrier) | |
| Impedance: | 50 Ohms |
| Max Input Power: | 100W |
| Lightning Protection: | DC Ground |

Mechanical Data

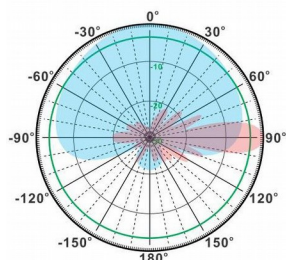
| | |
|------------------------|-------------------|
| Connector : | 4*N Female |
| Connector position: | Bottom |
| Dimensions: | 500*265*94mm |
| length*width*height | 19.7*10.4*3.7in |
| Weight: | 5kg/11.0lb |
| Reflector Material: | Aluminum Alloy |
| Radome Material: | UV Resistance PVC |
| Mounting Method: | Mast |
| Mast Size: | Ø40-Ø70mm |
| Rated Wind Velocity: | 210km/h |
| Operating temperature: | -40~+65°C |

Shipment Data

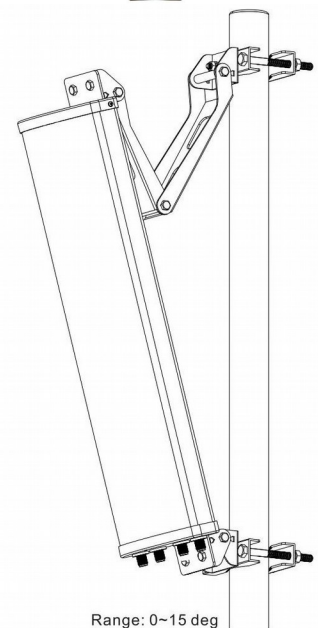
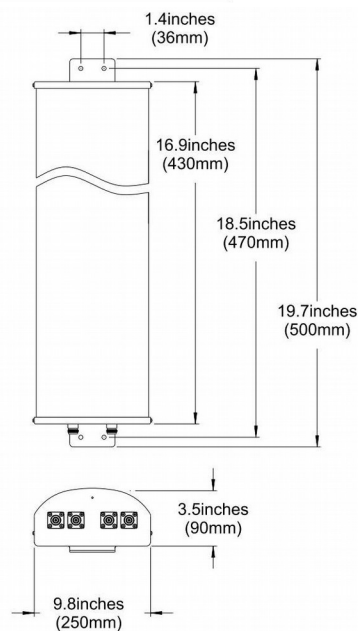
| | |
|-----------------------|----------------|
| Packing Qty: | 1pc/Carton |
| Carton Size: | 810*220*135mm |
| (length*width*height) | 31.9*8.7*5.3in |
| Packing Weight: | 5.3kg/11.7lb |



H-Plane



V-Plane



Range: 0~15 deg

Email: sales@dmswireless.com
www.dmswireless.com

Notice: Specifications are subject to change without notice.
 Images may not reflect the actual product.