

# DMS Wireless

**698-746 MHz 180° H-POL**

## Electrical Data

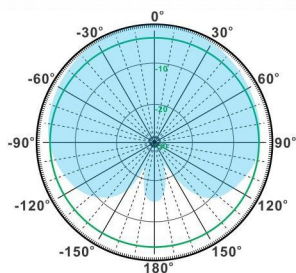
Frequency:	698-746 MHz
Gain:	12 dBi
VSWR:	<2.0:1
Polarization:	Horizontal
Horizontal Beamwidth :	180°
Vertical Beamwidth:	13°
Nominal Impedance:	50 Ohms
F/B Ratio:	>15 dB
Max Input Power:	250 W
Lightning Protection:	DC Ground

## Mechanical Data

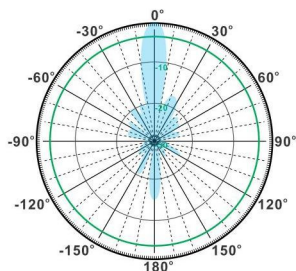
Connector :	N Female
Dimensions:	2316*310*80mm
length*width*height	/91.2*12.2*3.2in
Weight:	17kg/37.4lb
Reflector Material:	Aluminum Alloy
Mounting Method:	Mast
Mast Size:	Ø50-Ø90mm
Rated Wind Velocity:	210km/h
Operating temperature:	-40~+65°C

## Shipment Data

Packing Qty:	1pc/Carton
Carton Size:	2430*140*380mm
(length*width*height)	/95.7*5.5*15.0in
Packing Weight:	18kg/39.7lb
Kit Size:	375*340*205mm
(length*width*height)	/14.8*13.4*8.1in
Kit Weight:	5.8kg/12.76lb

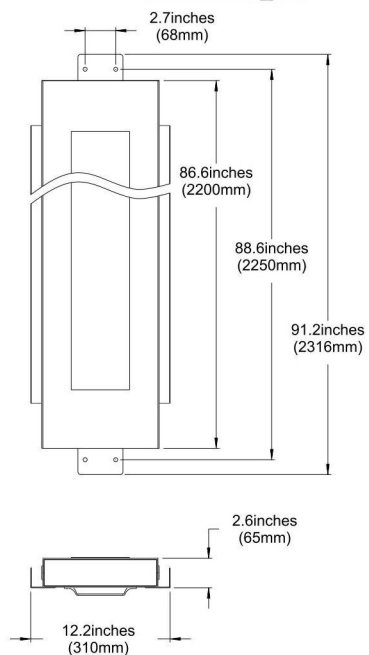


H-Plane



V-Plane

## PA698-746-180-12H



Email: [sales@dmswireless.com](mailto:sales@dmswireless.com)  
[www.dmswireless.com](http://www.dmswireless.com)

Notice: Specifications are subject to change without notice.  
Images may not reflect the actual product.