

DMS Wireless

2500-2686 MHz H-POL or V-POL

Electrical Data

Frequency:	2500-2686 MHz
Gain:	9 dBi
VSWR:	<1.5:1
Polarization:	Horizontal or Vertical
Horizontal Beamwidth :	72°
Vertical Beamwidth:	52°
Nominal Impedance:	50 Ohms
F/B Ratio:	>14 dB
Max Input Power:	100 W
Lightning Protection:	DC Ground

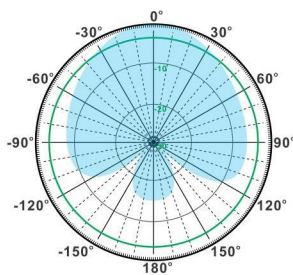
Mechanical Data

Connector :	N Male
Dimensions:	235mm/9.3in
Weight:	0.3kg/0.7lb
Cable Length:	240mm/9.5in
Reflector Material:	Aluminum Alloy
Mounting Method:	Mast
Mast Size:	Ø40-Ø50mm
Rated Wind Velocity:	210km/h
Operating temperature:	-40~+65°C

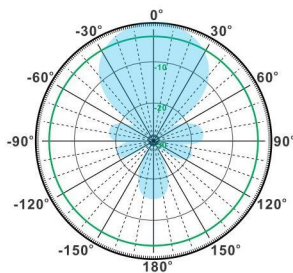
Shipment Data

Packing Qty:	40pcs/Carton
Carton Size:	580*360*270mm
(length*width*height)	22.8*14.2*10.6in
Packing Weight:	13kg/28.6lb

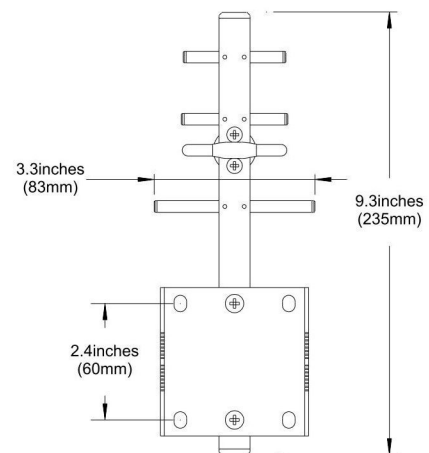
YA2500-2686-9HV-4E



H-Plane



V-Plane



Email: sales@dmswireless.com
www.dmswireless.com

Notice: Specifications are subject to change without notice.
Images may not reflect the actual product.