

# DMS Wireless

**1710-1880 MHZ H-POL or V-POL**

## Electrical Data

Frequency:	1710-1880 MHz
Gain:	10 dBi
VSWR:	<1.5:1
Polarization:	Horizontal Or Vertical
Horizontal Beamwidth :	48°
Vertical Beamwidth:	44°
Nominal Impedance:	50 Ohms
F/B Ratio:	>16 dB
Max Input Power:	100 W
Lightning Protection:	DC Ground

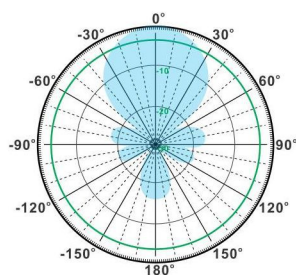
## Mechanical Data

Connector :	N Female
Dimension:	400mm/15.7in
Weight:	0.32kg/0.7lb
Cable Length:	360mm/11.81in
Reflector Material:	Aluminum Alloy
Antenna Material:	Mast
Mast Size:	Ø40-Ø50mm
Rated Wind Velocity:	210km/h
Operating temperature:	-40~+65℃

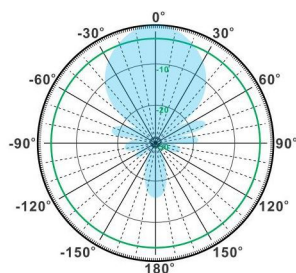
## Shipment Data

Packing Qty:	20pcs/Carton
Carton Size:	520*460*275mm
(length*width*height)	20.5*18.1*10.8in
Packing Weight:	6.9kg/15.2lb

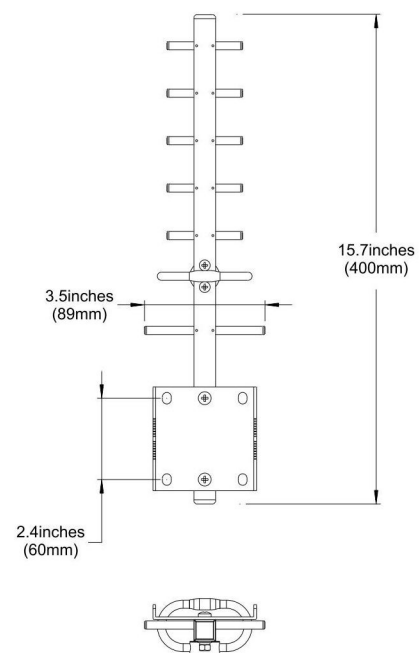
## YA1710-1880-10-8E



H-Plane



V-Plane



Email: [sales@dmswireless.com](mailto:sales@dmswireless.com)  
[www.dmswireless.com](http://www.dmswireless.com)

Notice: Specifications are subject to change without notice.  
Images may not reflect the actual product.