

710-746 MHz 180° H-POL

Electrical Data

Frequency:	710-746 MHz
Gain:	14 dBi
VSWR:	<2.0:1
Polarization:	Horizontal
Horizontal Beamwidth :	180°
Vertical Beamwidth:	7.2°
Nominal Impedance:	50 Ohms
F/B Ratio:	>15 dB
Max Input Power:	250 W
Lightning Protection:	DC Ground

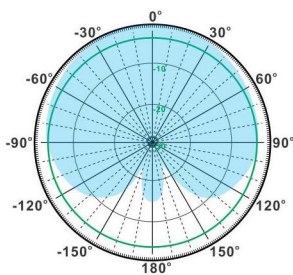
Mechanical Data

Connector :	N Female
Dimensions:	2966*310*80mm
length*width*height	/116.8*12.2*3.2in
Weight:	23.4kg/51.5lb
Reflector Material:	Aluminum Alloy
Mounting Method:	Mast
Mast Size:	Ø50-Ø90mm
Rated Wind Velocity:	210km/h
Operating temperature:	-40~+65°C

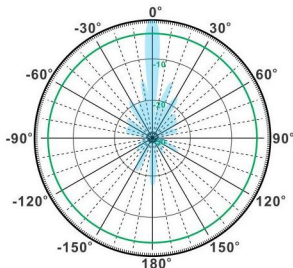
Shipment Data

Packing Qty:	1pc/Carton
Carton Size:	3080*140*380mm
(length*width*height)	/121.3*5.5*15.0in
Packing Weight:	22kg/48.4lb
Kit Size:	375*340*205mm
(length*width*height)	/14.8*13.4*8.1in
Kit Weight:	5.8kg/12.76lb

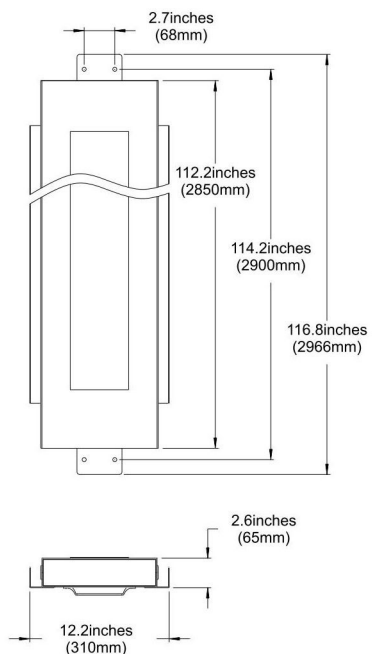
PA710-746-180-14H



H-Plane



V-Plane



Email: sales@dmswireless.com
www.dmswireless.com

Notice: Specifications are subject to change without notice.
 Images may not reflect the actual product.