

DMS Wireless

900-930 MHz H-POL or V-POL

Electrical Data

Frequency:	900-930 MHz
Gain:	12 dBi
VSWR:	<1.5:1
Polarization:	Horizontal or Vertical
Horizontal Beamwidth :	45°
Vertical Beamwidth:	38°
Nominal Impedance:	50 Ohms
F/B Ratio:	>16 dB
Max Input Power:	100 W
Lightning Protection:	DC Ground

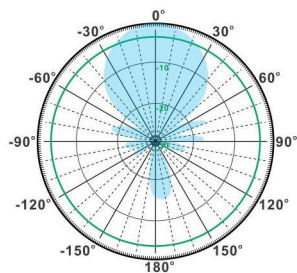
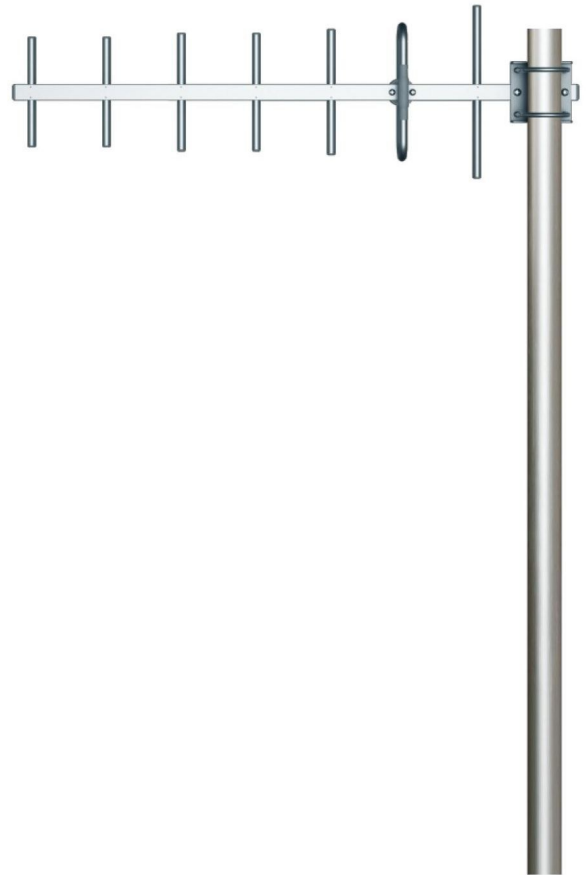
Mechanical Data

Connector :	N Female
Dimensions:	600mm/23.6in
Weight:	0.4kg/1.0lb
Cable Length:	300mm/11.8in
Reflector Material:	Aluminum Alloy
Mounting Method:	Mast
Mast Size:	Ø40-Ø50mm
Rated Wind Velocity:	210km/h
Operating temperature:	-40~+65°C

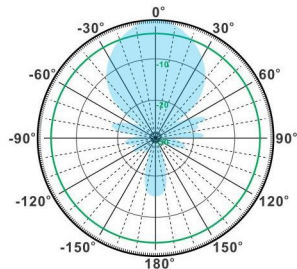
Shipment Data

Packing Qty:	10pcs/Carton
Carton Size:	630*400*315mm
(length*width*height)	/24.8*15.8*12.4in
Packing Weight:	5kg/11.0lb

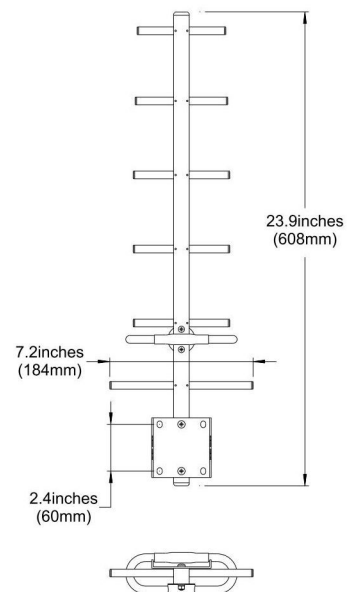
YA900-930-12HV-7E



H-Plane



V-Plane



Email: sales@dmswireless.com
www.dmswireless.com

Notice: Specifications are subject to change without notice.
Images may not reflect the actual product.