

## 900-930 MHz 120° H-POL

### Electrical Data

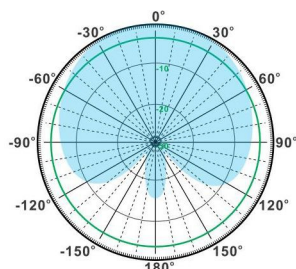
Frequency:	900-930 MHz
Gain:	13 dBi
VSWR:	<2.0:1
Polarization:	Horizontal
Horizontal Beamwidth :	120°
Vertical Beamwidth:	13°
Nominal Impedance:	50 Ohms
F/B Ratio:	>15 dB
Max Input Power:	250 W

### Mechanical Data

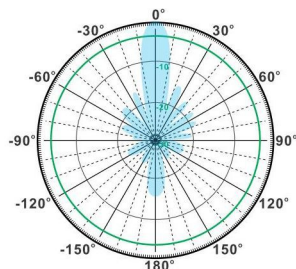
Connector :	N Female
Dimensions:	1846*200*50mm
length*width*height	/72.7*7.9*2.0in
Weight:	7.4kg/16.3lb
Reflector Material:	Aluminum Alloy
Mounting Method:	Mast
Mast Size:	Ø50-Ø90mm
Rated Wind Velocity:	210km/h
Operating temperature:	-40~+65°C

### Shipment Data

Packing Qty:	1pc/Carton
Carton Size:	1930*130*270mm
(length*width*height)	/76.0*5.1*10.6in
Packing Weight:	8.8kg/19.4lb
Kit Size:	375*340*205mm
(length*width*height)	/14.8*13.4*8.1in
Kit Weight:	5.8kg/12.78lb

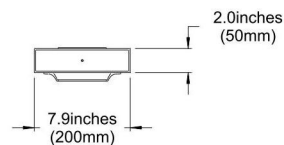
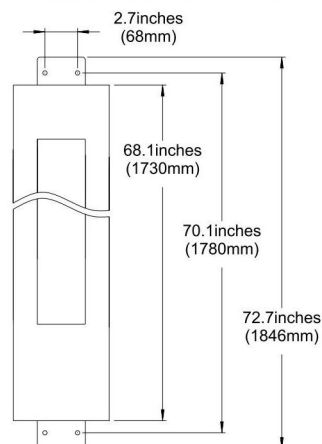


H-Plane



V-Plane

## PA900-930-120-13H



Email: [sales@dmswireless.com](mailto:sales@dmswireless.com)  
[www.dmswireless.com](http://www.dmswireless.com)

Notice: Specifications are subject to change without notice.  
 Images may not reflect the actual product.