

# DMS Wireless

## 216-226 MHz H-POL or V-POL

### Electrical Data

Frequency:	216-226 MHz
Gain:	11 dBi
VSWR:	<1.5:1
Polarization:	Horizontal or Vertical
Horizontal Beamwidth :	48°
Vertical Beamwidth:	42°
Nominal Impedance:	50 Ohms
F/B Ratio:	>16 dB
Max Input Power:	100 W
Lightning Protection:	DC Ground

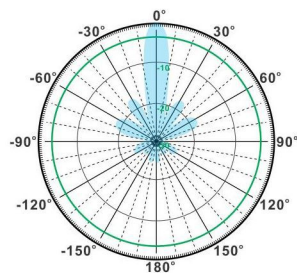
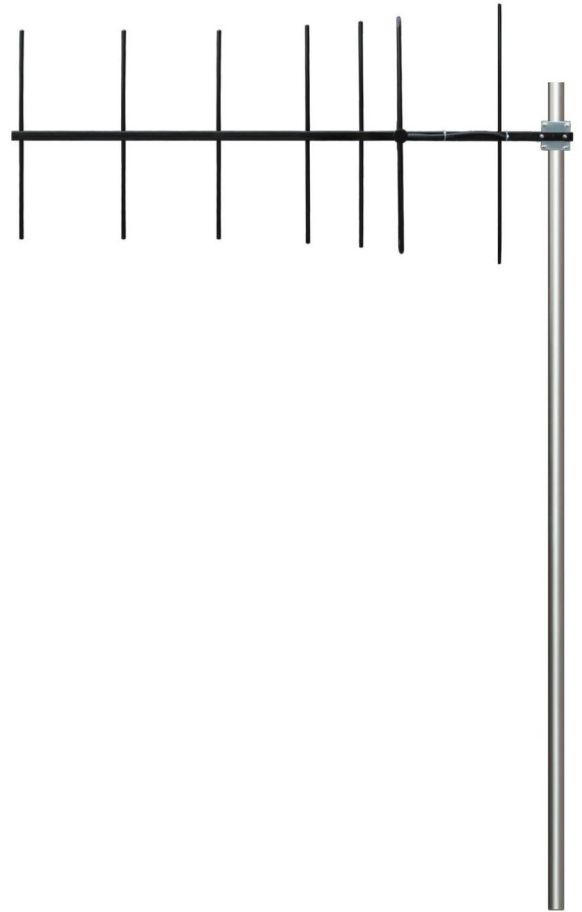
### Mechanical Data

Connector :	N Male
Dimensions:	1540mm/60.6in
Weight:	3.2kg/7.1lb
Cable Length:	360mm/14.2in
Reflector Material:	Aluminum Alloy
Antenna Material:	Stainless Steel
Mounting Method:	Mast
Mast Size:	Ø40-Ø60mm
Rated Wind Velocity:	210km/h
Operating temperature:	-40~+65°C

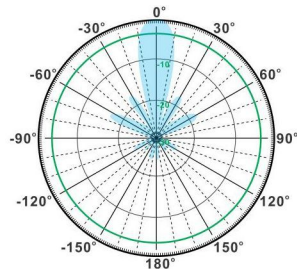
### Shipment Data

Packing Qty:	5pcs/Carton
Carton Size:	1570*540*710mm
(length*width*height)	/61.8*21.3*28.0in
Packing Weight:	18kg/39.6lb

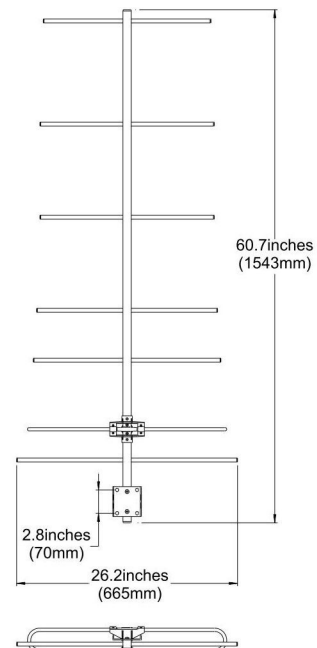
## YA216-226-11HV-7EW



H-Plane



V-Plane



Email: [sales@dmswireless.com](mailto:sales@dmswireless.com)  
[www.dmswireless.com](http://www.dmswireless.com)

Notice: Specifications are subject to change without notice.  
Images may not reflect the actual product.