

DMS Wireless

2400-2483 MHz 90° V-POL

Electrical Data

Frequency:	2400-2483 MHz
Gain:	12 dBi
VSWR:	<1.5:1
Polarization:	Vertical
Horizontal Beamwidth :	90°
Vertical Beamwidth:	13°
Nominal Impedance:	50 Ohms
F/B Ratio:	>18 dB
Max Input Power:	100 W
Lightning Protection:	DC Ground

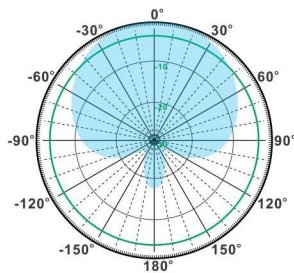
Mechanical Data

Connector :	N Female
Dimensions:	285*164*65mm
length*width*height	/11.2*6.5*2.6in
Weight:	1.5kg/3.3lb
Reflector Material:	Aluminum Alloy
Radome Material:	UV Resistance PVC
Mounting Method:	Mast
Mast Size:	Ø40-Ø50mm
Rated Wind Velocity:	210km/h
Operating temperature:	-40~+65°C

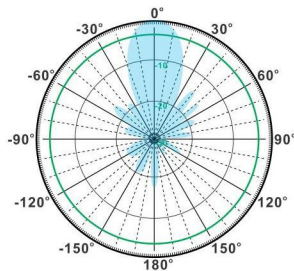
Shipment Data

Packing Qty:	1pc/Carton
Carton Size:	385*200*110mm
(length*width*height)	/15.2*7.9*4.3in
Packing Weight:	3kg/6.6lb

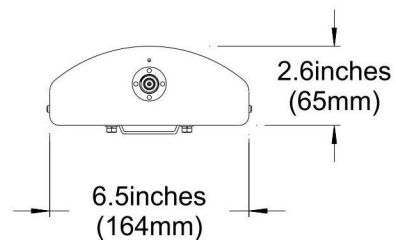
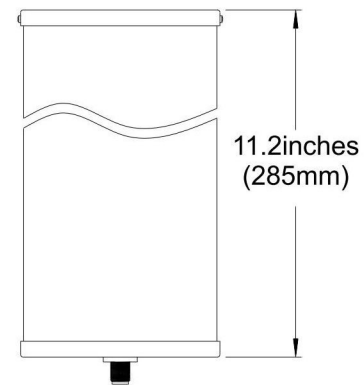
PA2400-2483-90-12V



H-Plane



V-Plane



Email: sales@dmswireless.com
www.dmswireless.com

Notice: Specifications are subject to change without notice.
Images may not reflect the actual product.