

DMS Wireless

2400-2483 MHz H-POL or V-POL

Electrical Data

| | |
|------------------------|------------------------|
| Frequency: | 2400-2483 MHz |
| Gain: | 10 dBi |
| VSWR: | <1.5:1 |
| Polarization: | Horizontal or Vertical |
| Horizontal Beamwidth : | 52° |
| Vertical Beamwidth: | 43° |
| Nominal Impedance: | 50 Ohms |
| F/B Ratio: | >14 dB |
| Max Input Power: | 100 W |
| Lightning Protection: | DC Ground |

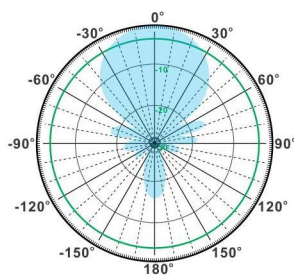
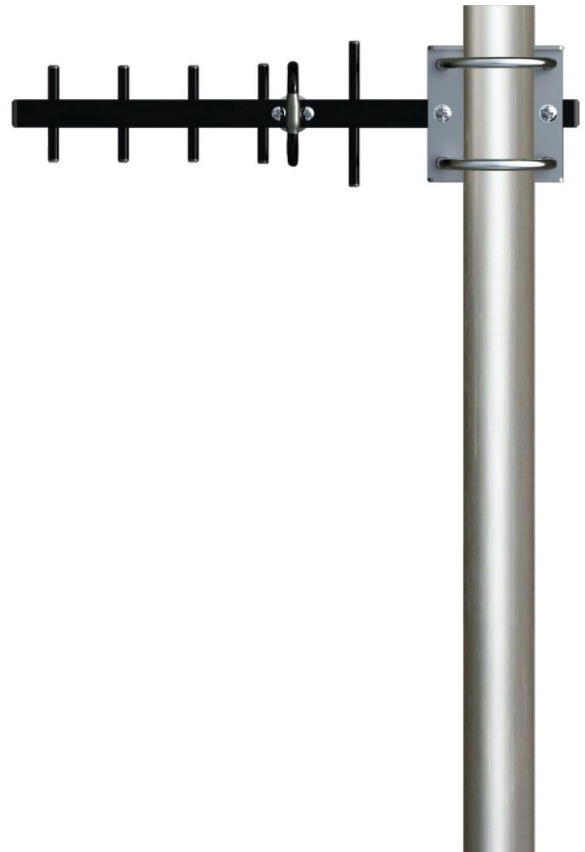
Mechanical Data

| | |
|------------------------|-----------------|
| Connector : | N Female |
| Dimensions: | 320mm/12.6in |
| Weight: | 0.3kg/0.7lb |
| Cable Length: | 240mm/9.5in |
| Reflector Material: | Aluminum Alloy |
| Antenna Material: | Stainless Steel |
| Mounting Method: | Mast |
| Mast Size: | Ø40-Ø50mm |
| Rated Wind Velocity: | 210km/h |
| Operating temperature: | -40~+65°C |

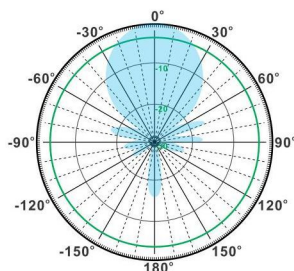
Shipment Data

| | |
|-----------------------|-------------------|
| Packing Qty: | 40pcs/Carton |
| Carton Size: | 730*345*260mm |
| (length*width*height) | /28.7*13.6*10.2in |
| Packing Weight: | 13kg/28.6lb |

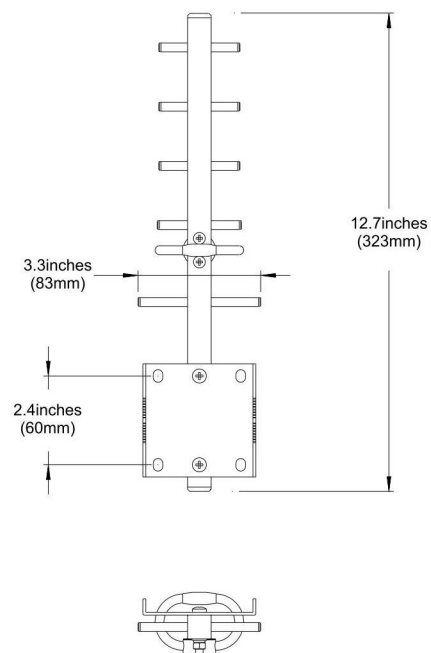
YA2400-2483-10HV-6EW



H-Plane



V-Plane



Email: sales@dmswireless.com
www.dmswireless.com

Notice: Specifications are subject to change without notice.
Images may not reflect the actual product.