

# DMS Wireless

**900-930 MHz 180° H-POL**

## Electrical Data

Frequency:	900-930 MHz
Gain:	12 dBi
VSWR:	<2.0:1
Polarization:	Horizontal
Horizontal Beamwidth :	180°
Vertical Beamwidth:	26°
Nominal Impedance:	50 Ohms
F/B Ratio:	>15 dB
Max Input Power:	250 W

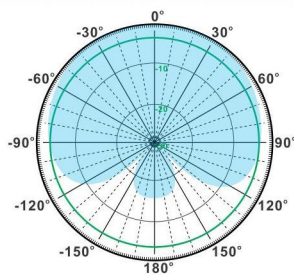
## Mechanical Data

Connector :	N Female
Dimensions:	1846*280*52mm
length*width*height	/72.7*11.0*2.0in
Weight:	7.2kg/15.9lb
Reflector Material:	Aluminum Alloy
Mounting Method:	Mast
Mast Size:	Ø50-Ø90mm
Rated Wind Velocity:	210km/h
Operating temperature:	-40~+65℃

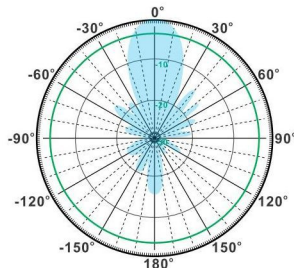
## Shipment Data

Packing Qty:	1pc/Carton
Carton Size:	1920*130*270mm
(length*width*height)	/75.6*5.1*10.6in
Packing Weight:	11.3kg/24.9lb
Kit Size:	375*340*205mm
(length*width*height)	/14.8*13.4*8.1in
Kit Weight:	5.8kg/12.78lb

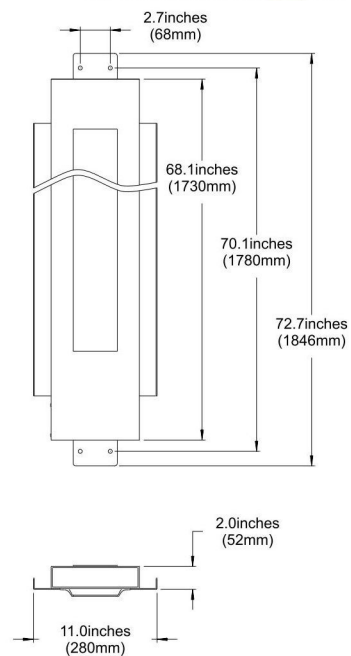
## PA900-930-180-12H



H-Plane



V-Plane



Email: [sales@dmswireless.com](mailto:sales@dmswireless.com)  
[www.dmswireless.com](http://www.dmswireless.com)

Notice: Specifications are subject to change without notice.  
 Images may not reflect the actual product.