

DMS Wireless

395-405 MHz H-POL or V-POL

Electrical Data

Frequency:	395-405 MHz
Gain:	10 dBi
VSWR:	<1.5:1
Polarization:	Horizontal or Vertical
Horizontal Beamwidth :	48°
Vertical Beamwidth:	43°
Nominal Impedance:	50 Ohms
F/B Ratio:	>16 dB
Max Input Power:	100 W
Lightning Protection:	DC Ground

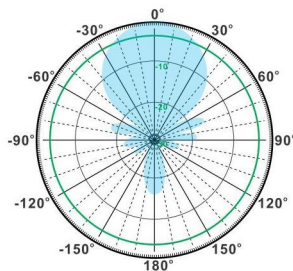
Mechanical Data

Connector :	SMA Male
Dimensions:	895mm/35.2in
Weight:	1.5kg/3.3lb
Cable Length:	15m/590.6in
Reflector Material:	Aluminum Alloy
Mounting Method:	Mast
Mast Size:	Ø40-Ø50mm
Rated Wind Velocity:	210km/h
Operating temperature:	-40~+65°C

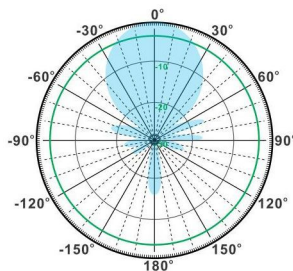
Shipment Data

Packing Qty:	5pcs/Carton
Carton Size:	925*395*425mm
(length*width*height)	/36.4*15.6*16.7in
Packing Weight:	9.5kg/20.9lb

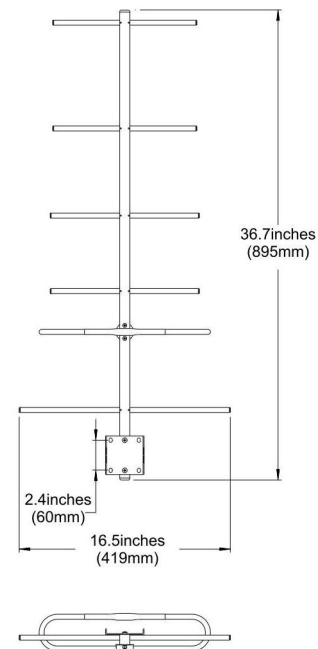
YA395-405-10HV-6E



H-Plane



V-Plane



Email: sales@dmswireless.com
www.dmswireless.com

Notice: Specifications are subject to change without notice.
Images may not reflect the actual product.