

# DMS Wireless

**824-896 MHz H-POL or V-POL**

## Electrical Data

|                        |                        |
|------------------------|------------------------|
| Frequency:             | 824-896 MHz            |
| Gain:                  | 6 dBi                  |
| VSWR:                  | <1.5:1                 |
| Polarization:          | Horizontal or Vertical |
| Horizontal Beamwidth : | 95°                    |
| Vertical Beamwidth:    | 65°                    |
| Nominal Impedance:     | 50 Ohms                |
| F/B Ratio:             | >18 dB                 |
| Max Input Power:       | 100 W                  |
| Lightning Protection:  | DC Ground              |

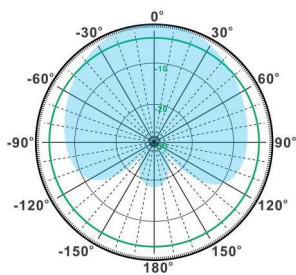
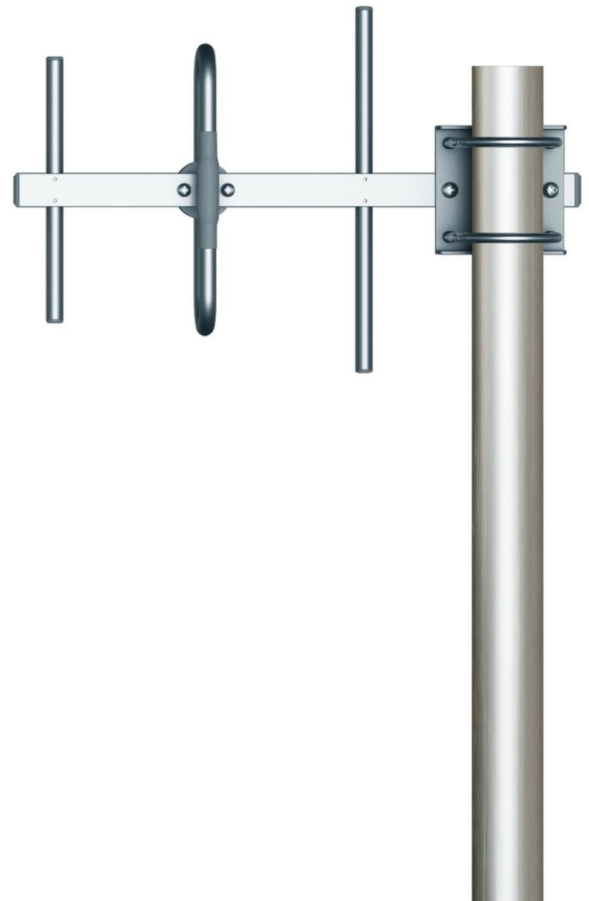
## Mechanical Data

|                        |                |
|------------------------|----------------|
| Connector :            | N Female       |
| Dimensions:            | 345mm/13.6in   |
| Weight:                | 0.4kg/0.8lb    |
| Cable Length:          | 360mm/14.2in   |
| Reflector Material:    | Aluminum Alloy |
| Mounting Method:       | Mast           |
| Mast Size:             | Ø40-Ø50mm      |
| Rated Wind Velocity:   | 210km/h        |
| Operating temperature: | -40~+65°C      |

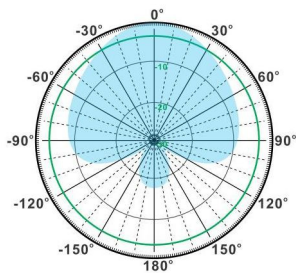
## Shipment Data

|                       |                   |
|-----------------------|-------------------|
| Packing Qty:          | 10pcs/Carton      |
| Carton Size:          | 370*395*330mm     |
| (length*width*height) | /14.5*15.6*13.0in |
| Packing Weight:       | 4.8kg/10.6lb      |

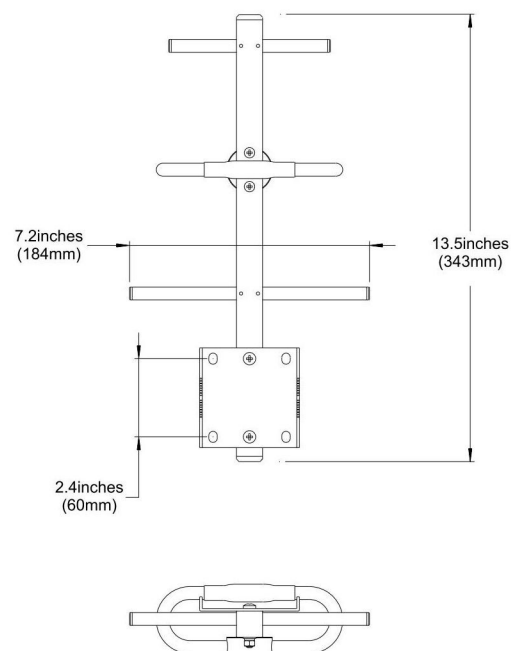
## YA824-896-6HV-3E



H-Plane



V-Plane



Email: [sales@dmswireless.com](mailto:sales@dmswireless.com)  
[www.dmswireless.com](http://www.dmswireless.com)

Notice: Specifications are subject to change without notice.  
Images may not reflect the actual product.