

# DMS Wireless

**5725-5850 MHz 120° V-POL**

## Electrical Data

Frequency:	5725-5850 MHz
Gain:	15 dBi
VSWR:	<1.5:1
Polarization:	Vertical
Horizontal Beamwidth :	120°
Vertical Beamwidth:	8°
Nominal Impedance:	50 Ohms
F/B Ratio:	>20 dB
Max Input Power:	100 W
Lightning Protection:	DC Ground

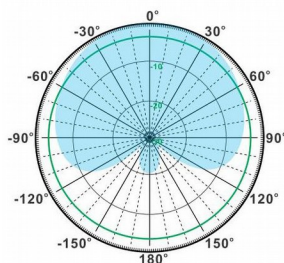
## Mechanical Data

Connector :	N Female
Dimensions:	516*66*119mm
length*width*height	/20.3*2.6*4.7in
Weight:	2.8kg/6.2lb
Reflector Material:	Aluminum Alloy
Radome Material:	UV Resistance PVC
Mounting Method:	Mast
Mast Size:	Ø40-Ø70mm
Rated Wind Velocity:	210km/h
Operating temperature:	-40~+65℃

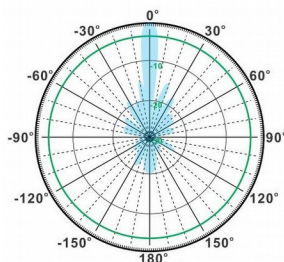
## Shipment Data

Packing Qty:	1 pc/Carton
Carton Size:	815*220*135mm
(length*width*height)	32.1*8.7*5.3in
Packing Weight:	3.6kg/7.9lb

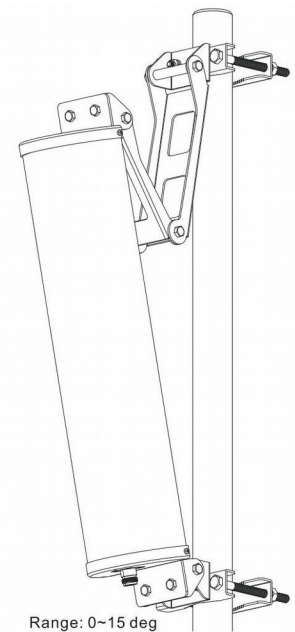
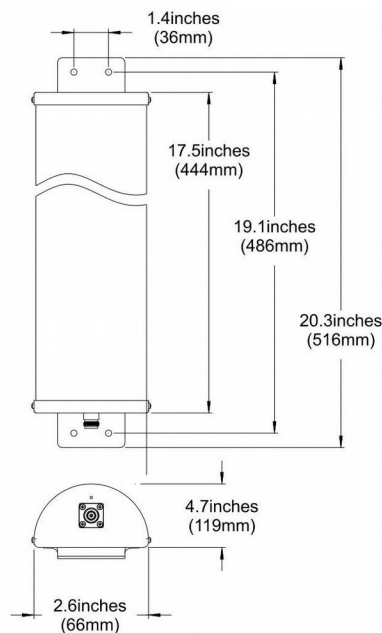
**PA5725-5850-120-15V**



H-Plane



V-Plane



Email: [sales@dmswireless.com](mailto:sales@dmswireless.com)  
[www.dmswireless.com](http://www.dmswireless.com)

*Notice: Specifications are subject to change without notice.  
Images may not reflect the actual product.*