

DMS Wireless

2400-2483 MHz 120° X-POL

PA2400-2483-120-13X

Electrical Data

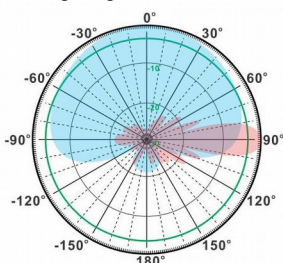
Frequency:	2400-2483 MHz
Gain:	13 dBi
VSWR:	<1.5:1
Polarization:	±45°
Horizontal Beamwidth:	120°
Vertical Beamwidth:	18°
Electrical downtilt:	0°
Sidelobe suppression :	>15dB
(First sidelobe above main beam)	
Front-to-back ratio :	>20dB
Isolation:	>30dB
Cross-polar ratio:	>15dB (±60°≥10)
Intermodulation IM3:	>-150dBc
(2×43dBm carrier)	
Impedance:	50 Ohms
Max Input Power:	100W
Lightning Protection:	DC Ground

Mechanical Data

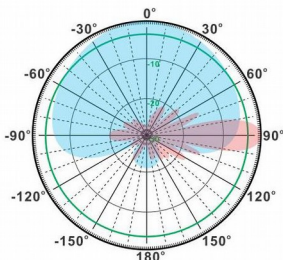
Connector :	2*N Female
Connector position:	Bottom
Dimensions:	546*180*90mm
length*width*height	/21.5*7.1*3.5in
Weight:	2.5kg/5.5lb
Reflector Material:	Aluminum Alloy
Radome Material:	UV Resistance PVC
Mounting Method:	Mast
Mast Size:	Ø40-Ø70mm
Rated Wind Velocity:	210km/h
Operating temperature:	-40~+65°C

Shipment Data

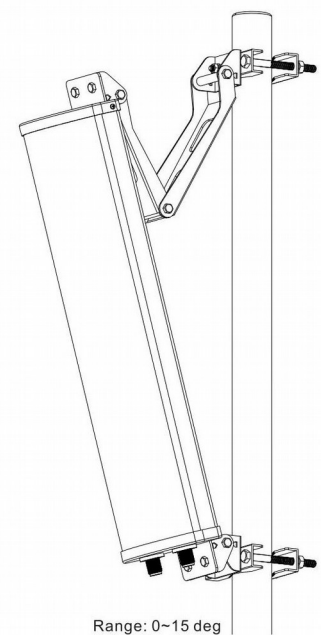
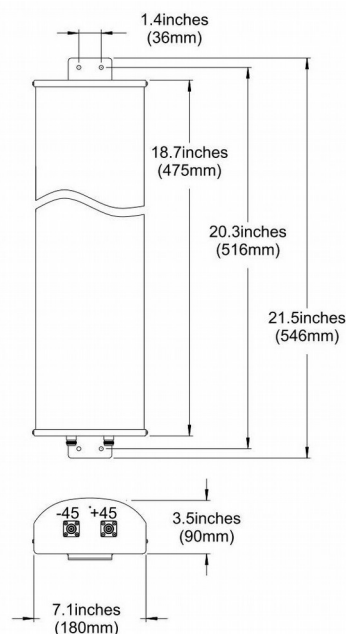
Packing Qty:	1pc/Carlton
Carton Size:	810*220*135mm
(length*width*height)	/31.9*8.7*5.3in
Packing Weight:	2.8kg/6.2lb



H-Plane



V-Plane



Range: 0~15 deg

Email: sales@dmswireless.com
www.dmswireless.com

Notice: Specifications are subject to change without notice.
 Images may not reflect the actual product.