

DMS Wireless

806-960/1710-2700 MHz 60° HV-POL

Electrical Data

Frequency:	806-960/1710-2700 MHz
Gain:	8 dBi
VSWR:	<1.5:1
Polarization:	Horizontal and Vertical
Horizontal Beamwidth:	60°
Vertical Beamwidth:	60°
Electrical downtilt:	0°
Sidelobe suppression :	>15dB (First sidelobe above main beam)
Front-to-back ratio :	>12dB
Isolation:	>30dB
Cross-polar ratio:	>20dB ($\pm 60^\circ \geq 10$)
Intermodulation IM3:	>-150dBc (2x43dBm carrier)
Impedance:	50 Ohms
Max Input Power:	100W
Lightning Protection:	DC Ground

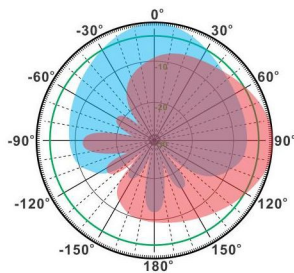
Mechanical Data

Connector :	2*N Female
Connector position:	Bottom
Dimensions:	300*180*90mm
length*width*height	11.8*7.0*3.5in
Weight:	1.5kg/3.3lb
Reflector Material:	Aluminum Alloy
Radome Material:	UV Resistance PVC
Mounting Method:	Mast
Mast Size:	Ø40-Ø70mm
Rated Wind Velocity:	210km/h
Operating temperature:	-40~+65°C

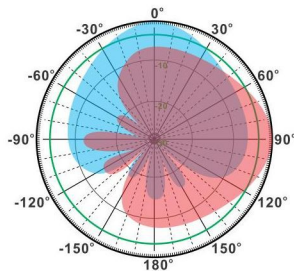
Shipment Data

Packing Qty:	1pc/Carlton
Carton Size:	350*200*110mm
(length*width*height)	13.8*7.9*4.3in
Packing Weight:	1.8kg/4.0lb

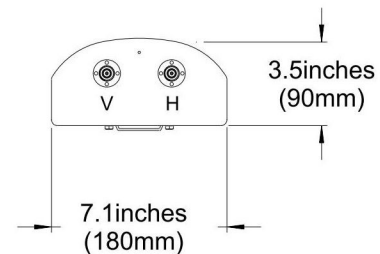
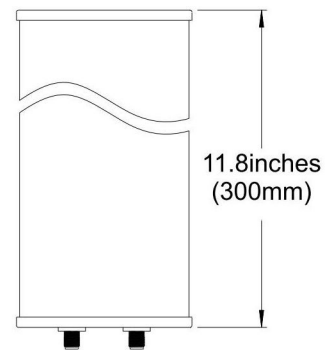
PA806-2700-60-8HV



806-960MHz Radiation patterns



1710-2700MHz Radiation patterns



Email: sales@dmswireless.com
www.dmswireless.com

Notice: Specifications are subject to change without notice.
Images may not reflect the actual product.