

DMS Wireless

5150-5320 MHZ H-POL or V-POL

Electrical Data

Frequency:	5150-5320 MHz
Gain:	29 dBi
VSWR:	<1.5:1
Polarization:	Horizontal or Vertical
Horizontal Beamwidth :	7°
Vertical Beamwidth:	5°
Nominal Impedance:	50 Ohms
F/B Ratio:	>25
Max Input Power:	100 W
Lightning Protection	DC Ground

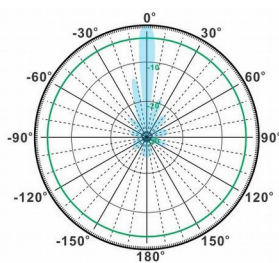
Mechanical Data

Connector :	N Female
Dimensions:	900*600*380mm
(diameter*height)	/35.44*23.63*14.96in
Weight:	4.5kg/9.91lb
Reflector Material:	Brass
Mounting Method:	Mast
Mast Size:	Ø30-Ø50mm
Rated Wind Velocity:	210km/h
Operating temperature:	-40~+65°C

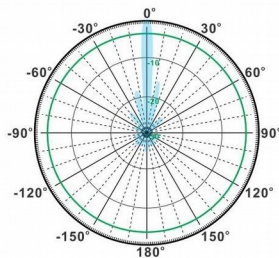
Shipment Data

Packing Qty:	5pcs/Carton
Carton Size:	630*565*290mm
(length*width*height)	/24.80*22.24*11.42in
Packing Weight:	23.3kg/51.32lb

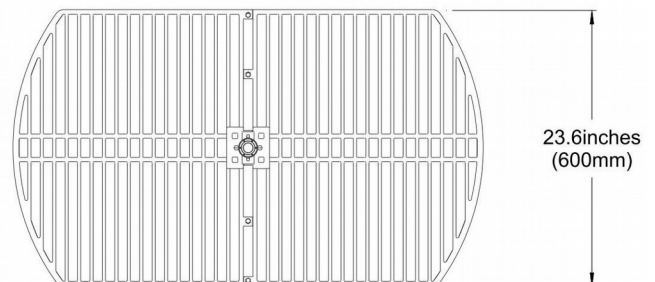
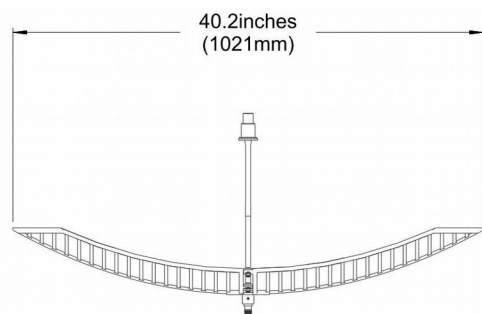
GA5150-5320-29HV



H-Plane



V-Plane



Email: sales@dmswireless.com
www.dmswireless.com

Notice: Specifications are subject to change without notice.
 Images may not reflect the actual product.