

# DMS Wireless

2400-2500 MHz 65° V-POL and H-POL

## Electrical Data

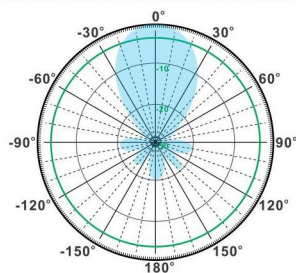
Frequency:	2400-2500 MHz
Gain:	2*12 dBi
VSWR:	<2.0:1
Polarization:	Vertical and Horizontal
Horizontal Beamwidth :	38°
Vertical Beamwidth:	60°
Nominal Impedance:	50 Ohms
Front-to-back ratio :	>20 dB
Isolation:	>28 dB
Max Input Power:	100 W
Lightning Protection:	DC Ground

## Mechanical Data

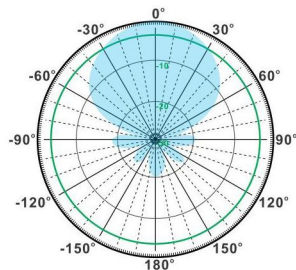
Connector :	2*N Female
Dimensions:	210*180*45mm
length*width*height	/8.27*7.08*1.77in
Weight:	0.54kg/1.19lb
Cable Length:	2*170mm
Reflector Material:	Aluminum Alloy
Radome Material:	Weatherproof ABS
Mounting Method:	Mast Or Wall Mount
Mast Size:	Ø30-Ø50mm
Rated Wind Velocity:	210km/h
Operating temperature:	-40~+65°C

## Shipment Data

Packing Qty:	20pcs/Carton
Carton Size:	530*320*410mm
(length*width*height)	20.9*12.6*16.1in
Packing Weight:	11.5kg/25.3lb

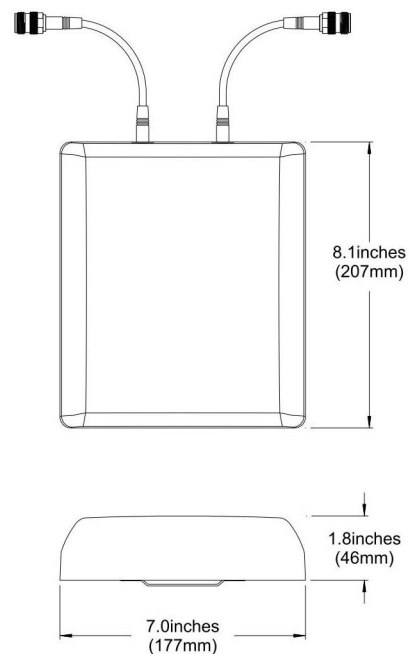


H-Plane



V-Plane

## PA2400-2500-65-12HV



Email: [sales@dmswireless.com](mailto:sales@dmswireless.com)  
[www.dmswireless.com](http://www.dmswireless.com)

Notice: Specifications are subject to change without notice.  
Images may not reflect the actual product.