

# DMS Wireless

**2400-2483 MHz H-POL or V-POL**

## Electrical Data

Frequency:	2400-2483 MHz
Gain:	5 dBi
VSWR:	<1.5:1
Polarization:	Horizontal or Vertical
Horizontal Beamwidth :	105°
Vertical Beamwidth:	70°
Nominal Impedance:	50 Ohms
F/B Ratio:	>14 dB
Max Input Power:	100 W
Lightning Protection:	DC Ground

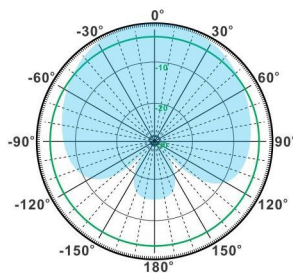
## Mechanical Data

Connector :	N Female
Dimensions:	220mm/8.7in
Weight:	0.2kg/0.5lb
Cable Length:	240mm/9.5in
Reflector Material:	Aluminum Alloy
Mounting Method:	Mast
Mast Size:	Ø40-Ø50mm
Rated Wind Velocity:	210km/h
Operating temperature:	-40~+65°C

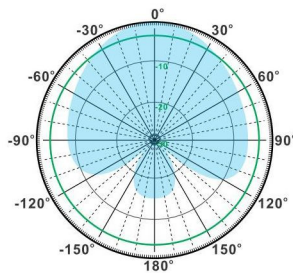
## Shipment Data

Packing Qty:	50pcs/Carton
Carton Size:	470*465*260mm
(length*width*height)	/18.5*18.3*10.2in
Packing Weight:	11kg/24.2lb

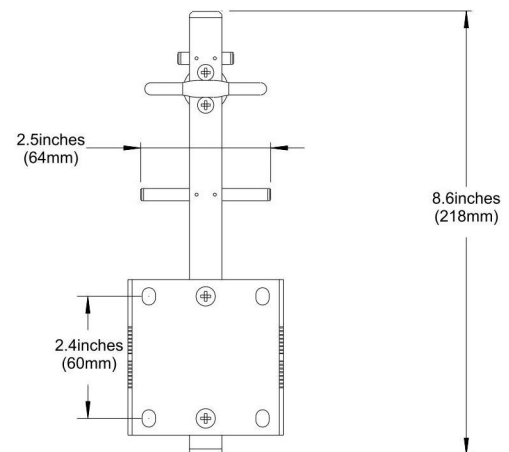
## YA2400-2483-5HV-3E



H-Plane



V-Plane



Email: [sales@dmswireless.com](mailto:sales@dmswireless.com)  
[www.dmswireless.com](http://www.dmswireless.com)

Notice: Specifications are subject to change without notice.  
Images may not reflect the actual product.