

DMS Wireless

806-960 MHz 120° V-POL

Electrical Data

Frequency:	806-960 MHz
Gain:	13 dBi
VSWR:	<1.5:1
Polarization:	Vertical
Horizontal Beamwidth :	120°
Vertical Beamwidth:	13°
Nominal Impedance:	50 Ohms
F/B Ratio:	>20 dB
Max Input Power:	250 W
Lightning Protection:	DC Ground

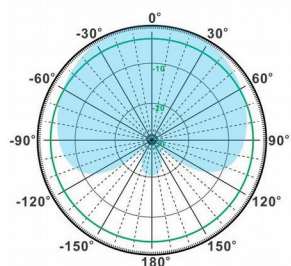
Mechanical Data

Connector :	N Female
Dimensions:	1270*290*130mm
length*width*height	/50.0*11.4*5.1in
Weight:	11.9kg/26.2lb
Reflector Material:	Aluminum Alloy
Radome Material:	UV Resistance PVC
Mounting Method:	Mast
Mast Size:	Ø50-Ø90mm
Rated Wind Velocity:	210km/h
Operating temperature:	-40~+65°C

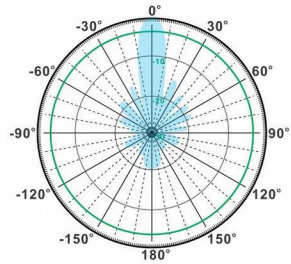
Shipment Data

Packing Qty:	1 pc/Carton
Carton Size:	1670*330*195mm
(length*width*height)	/65.7*13.0*7.7in
Packing Weight:	13.6kg/30.0lb

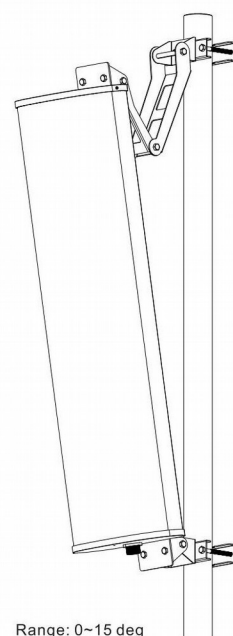
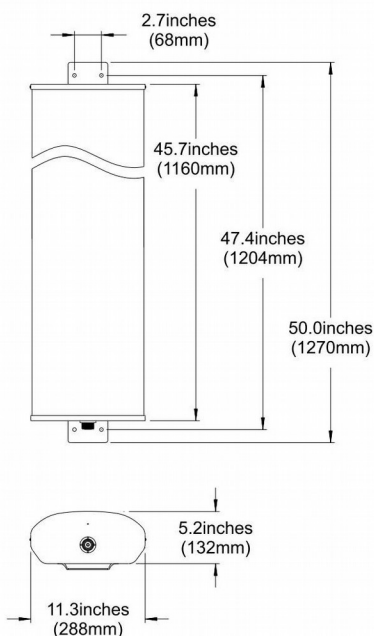
PA806-960-120-13V



H-Plane



V-Plane



Email: sales@dmswireless.com
www.dmswireless.com

Notice: Specifications are subject to change without notice.
Images may not reflect the actual product.