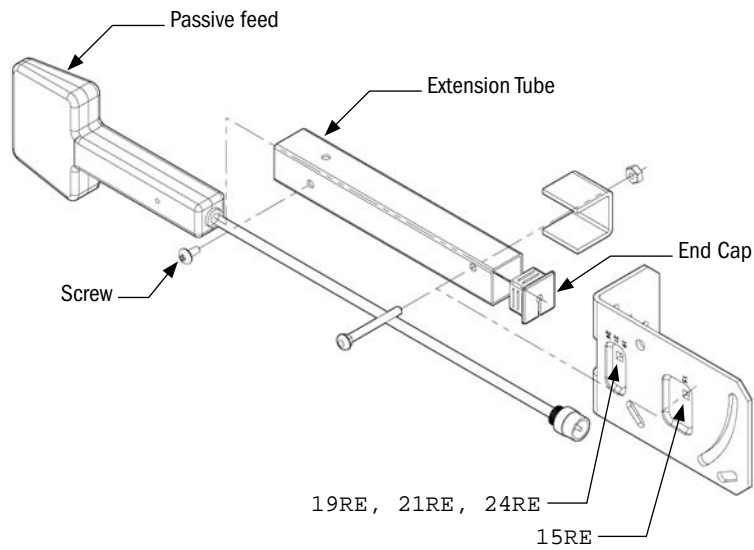




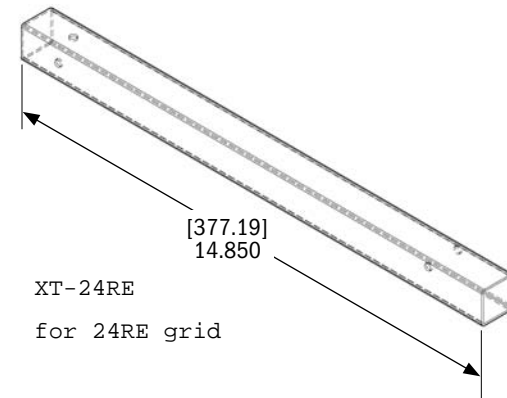
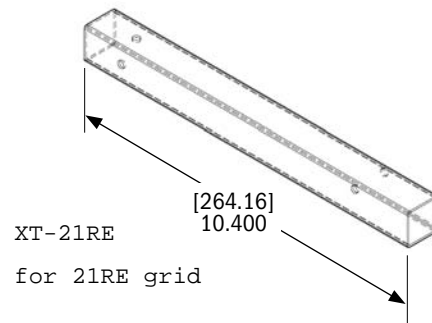
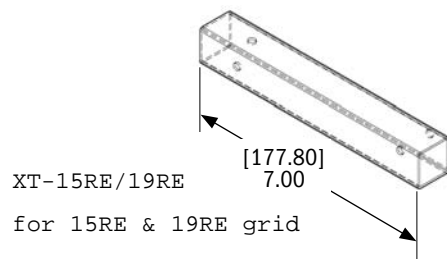
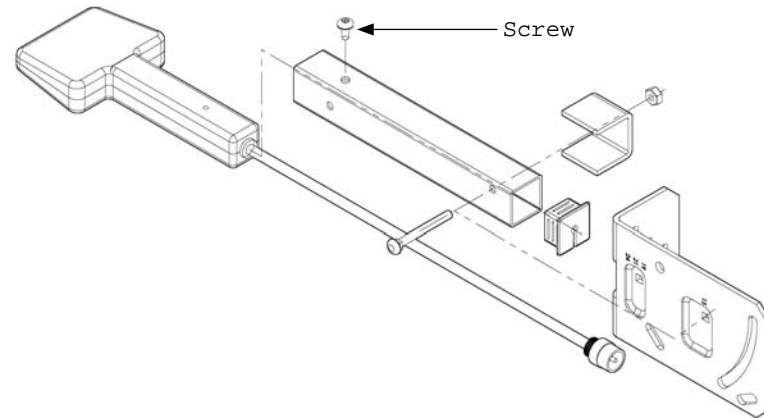
Assembly Instructions for 15RE, 19RE, 21RE, & 24RE Antenna Mounting Bracket

15RE

### Vertical Polarization



### Horizontal Polarization

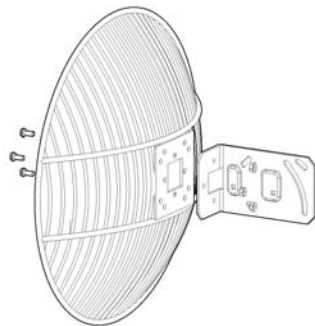


Assemble the reflector to the mounting bracket in the required polarization.

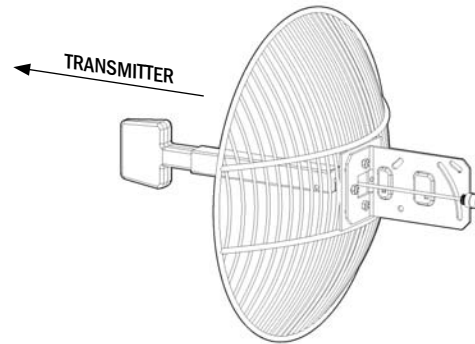
**STEP 1**

NOTE: The mounting bracket is to be oriented to allow the antenna to be tilted to line up with the transmitter. Ensure the bracket is mounted exactly as shown.

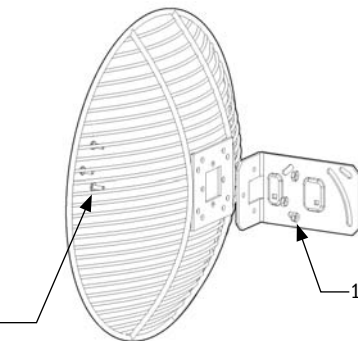
**Vertical Polarization**



**Vertical Polarization**



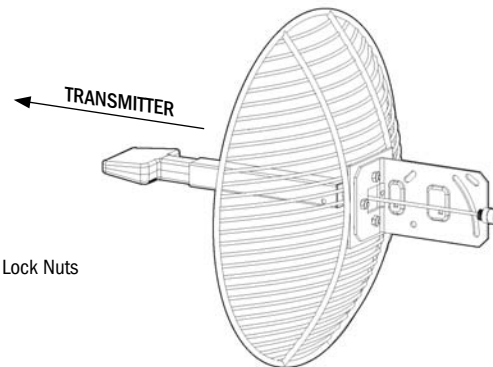
**Horizontal Polarization**



10-24 X 1/2" Bolts

10-24 Lock Nuts

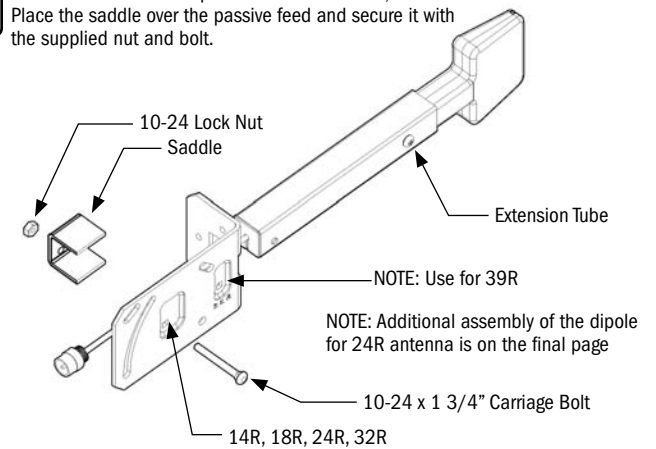
**Horizontal Polarization**



**NOTE: When assembling the passive feed to the reflector, ensure they are correctly oriented as noted on the following page.**

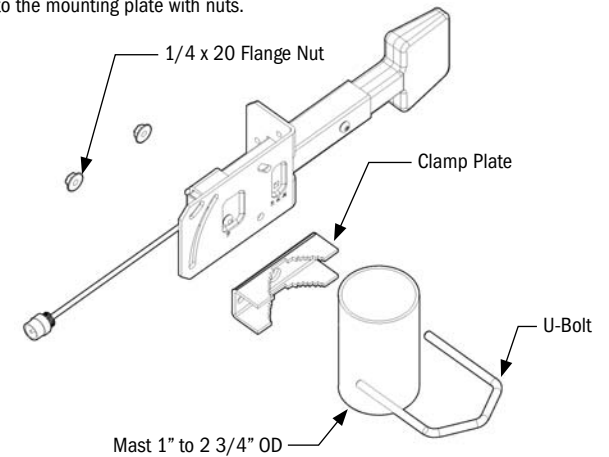
**STEP 2**

Slide the passive feed into the square hole and align it with the hole that corresponds with the antenna, i.e. 15. Place the saddle over the passive feed and secure it with the supplied nut and bolt.



**STEP 3**

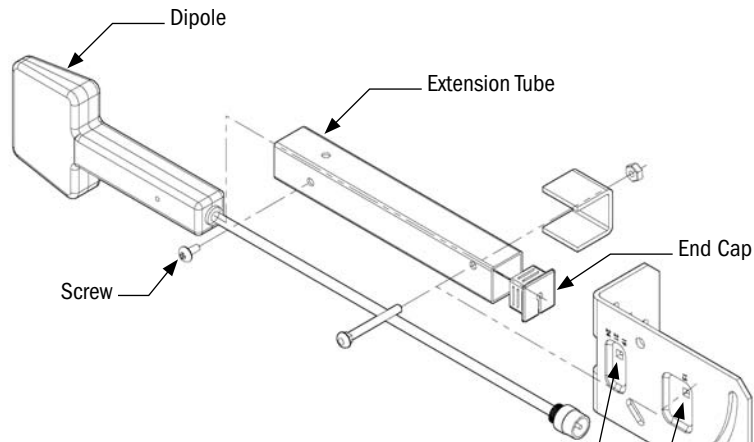
Assemble the U-bolt and the mast clamp to the mounting plate with nuts.



**STEP 4**

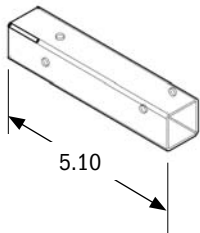
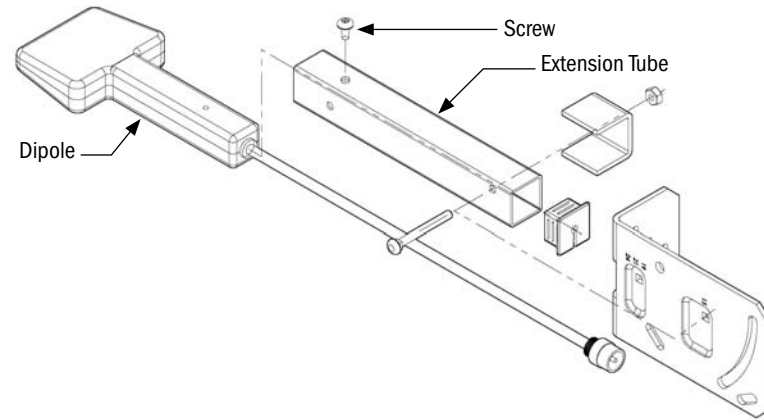
Slide the antenna assembly over the top of the mast and finger tighten the nuts on the clamp assembly. Aim the antenna towards the transmitter and then tighten the nuts firmly.

### Vertical Polarization



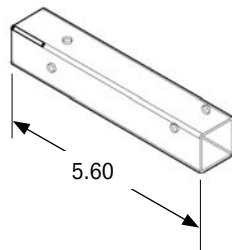
NOTE: Use for 39R  
14R, 18R, 24R, 32R

### Horizontal Polarization



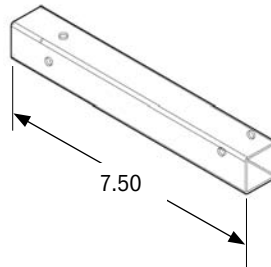
**XT-14R**

For 14R Antenna Grid



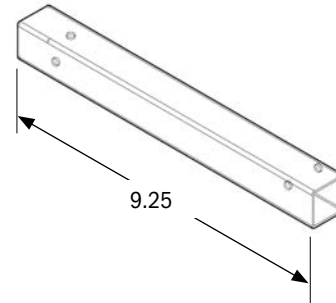
**XT-18R**

For 18R Antenna Grid



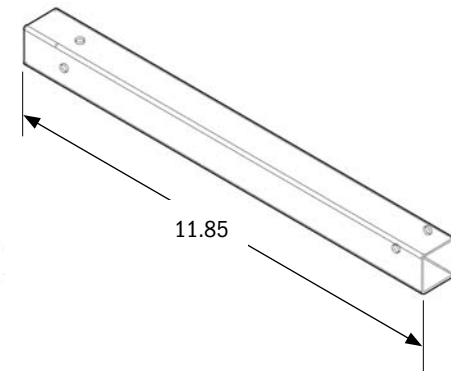
**XT-24R**

For 24R Antenna Grid



**XT-32R**

For 32R Antenna Grid



**XT-39R**

For 39R Antenna Grid